

**Rules for creating a Little Free Library for Libraries Reading Outreach for Children in Clatsop County (Libraries ROCCI) Fundraiser on March 31<sup>st</sup>, 2018**  
***Sponsored by the Seaside Public Library Foundation***

**Instructions for Little Libraries:**

- Standard size: 12" deep by 22" wide and interior 22" tall (for books)
- Must either come equipped with a five foot 4"x4" post or with brackets installed to hold a post of these dimensions.
- Must have a front closing door or doors (preferably see-through) so it is rainproof and windproof.
- A roof of some kind is required with an overhang to keep rain and snow out.
- Maximum 28" tall including roof.
- Fun and whimsical designs are encouraged. Just make sure your little free library design can accommodate up to (10) hardcover books that stand up to 21" tall. Smaller is better for coastal weather, ease in attaching to a pole, and following city regulations!
- If the name of business or person who created the little free library is attached, must be waterproof and weatherproof and fit in with the design of the building.

***All little libraries must be completed and dropped off at the Astoria, Seaside, or Warrenton public libraries by January 16th, 2018***

Here's what this first set of plans can help you build - a Little Library in the style of the Amish Cabin. Michael Kramer has put together some drawings and instructions for the basic structure. You can vary these any way you wish.



Could this be Bookus Binder, Little Library patron and reader? Yes...and she is eager to see what you can build. Go for it! We hope these plans make it easier for you.

A five foot 4" x 4" post put 24" in the ground will do the trick. No need to use cement. Just pack it tightly and make sure it's steady.

A little landscaping, some flowers or a bench can make your Little Free Library more inviting.



Little Free Library

Library Box - Builder's Kit Plans

[www.littlefreelibrary.org](http://www.littlefreelibrary.org)

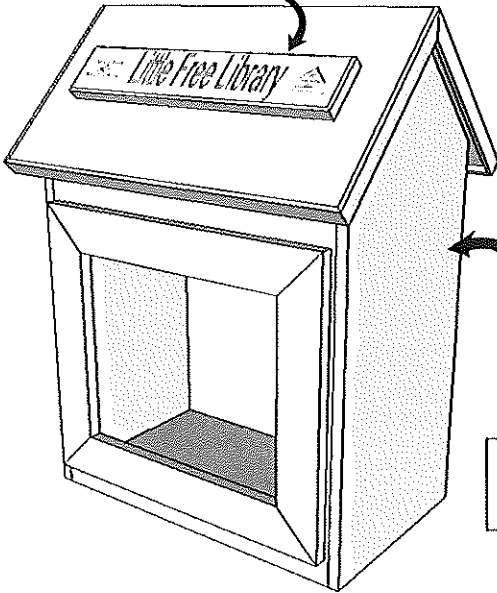
Plans by Michael Kramer

Be sure to leave room for your official Little Free Library sign. It identifies this structure with the registry number, lets people know you are part of an international movement, and tells patrons what to do: Take a book. Return a book.

Keep in mind that rain and snow have a way of finding their way inside unless you have a substantial overhang here, tight seals in all joints, no holes in the roof and no holes that would let even a drop fall on the books. Double walls can make a big difference!

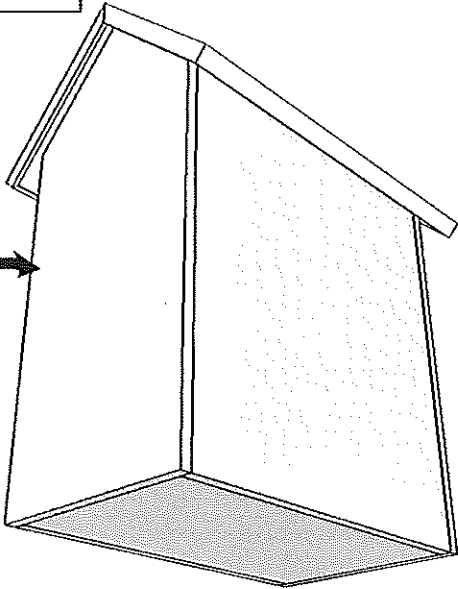
LFL signs will be sent once your library is registered.

The apex of the roof will stay dry if you cover it with a piece of sheet metal.



**Perspective View - Front**  
Not to scale

A  
02

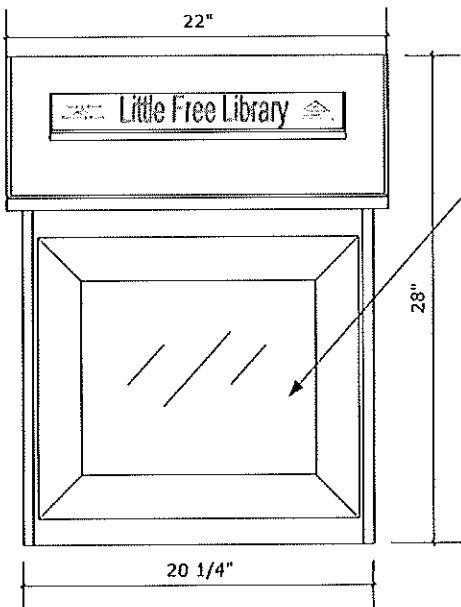


**Perspective View - Back**  
Not to scale

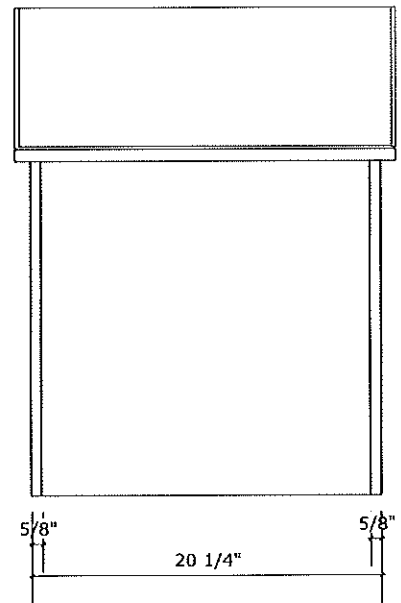
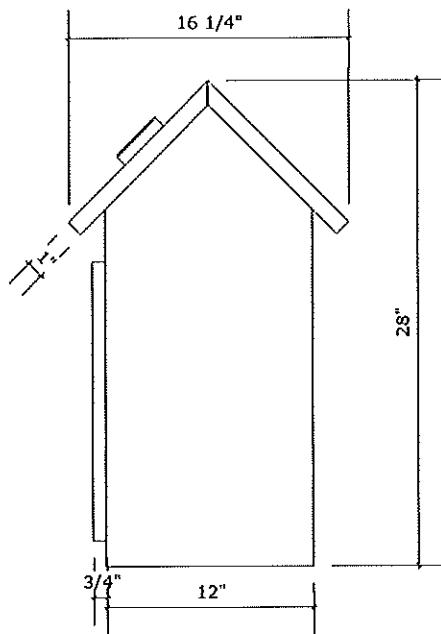
B  
02

Want a window or some artwork here? Be creative or keep it simple.





Use plexiglass, not regular glass.  
It's safer and will last a lot longer.



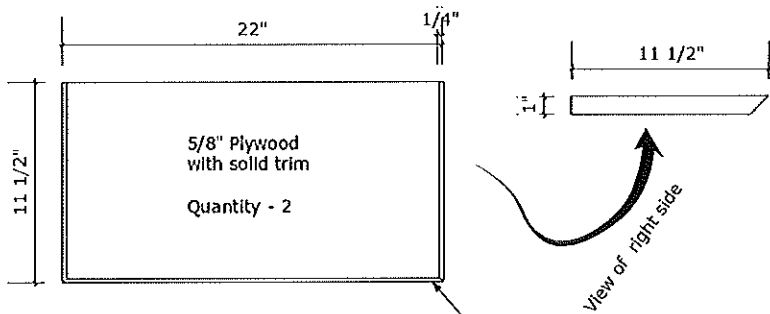
**Front**  
scale: 1 1/2"=1'  
A  
03

**Back**  
scale: 1 1/2"=1'  
C  
03

**Right**  
scale: 1 1/2"=1'  
B  
03

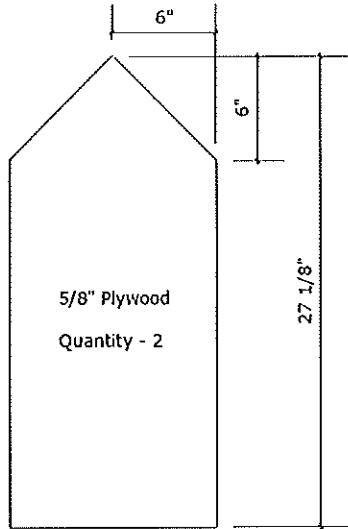
These dimensions are not set in stone. If you want to have two shelves rather than just one, you can do it!





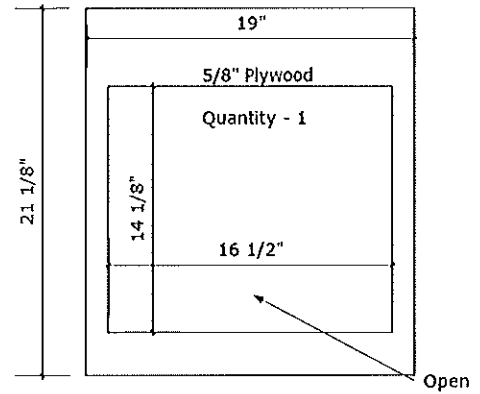
**A**  
04

**Top**  
scale: 1 1/2"=1"



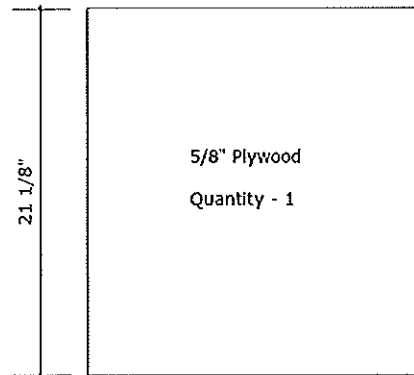
**C**  
04

**Side**  
scale: 1 1/2"=1"



**B**  
04

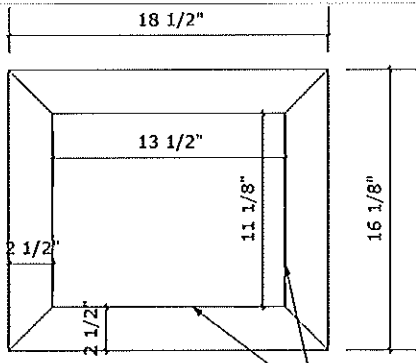
**Front**  
scale: 1 1/2"=1"



**D**  
04

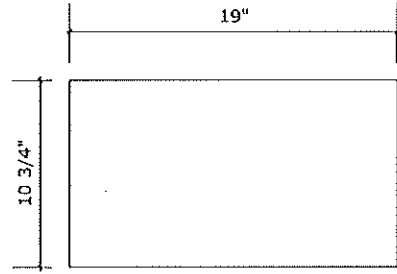
**Back**  
scale: 1 1/2"=1"





Grooved or rabbited to accept transparent plexiglass

**Door**  
 A  
 05  
 scale: 1 1/2"=1'



**Bottom**  
 B  
 05  
 scale: 1 1/2"=1'

For technical assistance and tips, see the Neighborhood Library Builders Guild group on Facebook.  
[www.facebook.com/pages/Neighborhood-Library-Builders-Guild](http://www.facebook.com/pages/Neighborhood-Library-Builders-Guild)

